

# PT300 PHYSICAL THERAPY TABLE

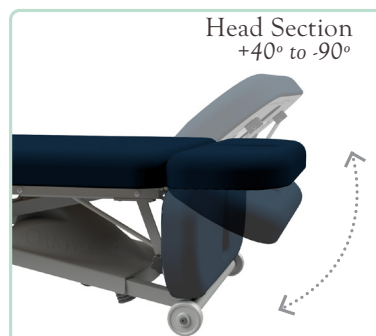
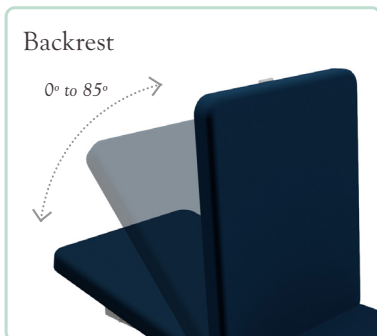
*Rock solid support for better results*



Shown in Pewter fabric



Chair Position



“The drop down head section feature enables patient safe and Physical Therapist efficient cervical examination and treatment.”

**Dr. Robert DuVall,**  
 PT, DHSc, ATC, OCS, SCS, FAAOMPT CSCS

## Features

- Super low 16" height
- Cost effective 3-section table
- Stable twin beam construction
- Full size table (73" long) with small footprint



Twin beam design lifts vertically, taking up much less space than cantilevered designs.

# PT300

#68776-T\* 29" W 1.75" Firm Response #68840-T\* 29" W 2.5" Comfort

#68714-T\* 31" W 1.75" Firm Response #70278-T\* 31" W 2.5" Comfort

FEATURES	
3 Section Top	29" (74cm) or 31" (79cm) wide x 73" (185cm) long
Backrest	39" (99cm) long
Seat	23" (58cm) long
Head	11" (28cm) long
Motion 1	Electric Height Range 16" - 34" (40-86cm) (1.75" foam)
Motion 2	Manual Lift-Assist Backrest 0°-85°
Motion 3	Manual position head section 40° to -90°
Controls	Foot control
Weight Capacity	550 lb (250kg)
Product Weight	160 lb (73kg)
Padding	1.75" (4cm) Firm Response or 2.5" (6cm) Comfort Foam™
Fabric	Premium, PVC free TerraTouch™
Included Features	Accessory Mounting Plate (Backrest End)
Warranty	3 years parts, 2 years labor
Safety Listings	FDA listed, cETLus listed, CB Certificate

OPTIONS <i>must be ordered with table.</i>	
Locking Twin Casters (one end of the table)	To easily move your table in the room
Side Rails	Drop away (available on 31" only)
Second Foot Control	Controls height
Hand Control	Controls height

ACCESSORIES <i>order any time.</i>	
Universal Paper Roll Holder	Mounts to installed accessory mounting plate
Face Hole Filler	Fits securely in cut out



Optional Locking Twin Casters

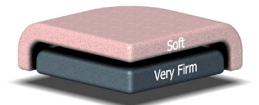
## STABLE TWIN BEAM CONSTRUCTION

Stiffer than cantilever designs and with fewer moving parts, our unique design lifts vertically, taking up less room than a cantilevered design.



## FIRM RESPONSE FOAM

Firm Response foam delivers a firm yet comfortable surface that maximizes ergonomic efficiency during examination and intervention procedures. Additionally, this surface minimizes Manipulation Dry Hits with its super high density, twin layer design.



## LIFT ASSIST BACKREST

Lift assist backrest features two powerful pneumatic cylinders that assist with adjusting the backrest up or down.



## TERRATOUGH™ FABRIC



We strive to ensure that the colors displayed on our product imagery (online and in print) are as accurate as possible. However, due to the limitations of printers, scanners, computer monitors, and other equipment, the colors may not be accurate.

717.759.3146 [www.oakworksmed.com](http://www.oakworksmed.com) email: [medsales@oakworks.com](mailto:medsales@oakworks.com)